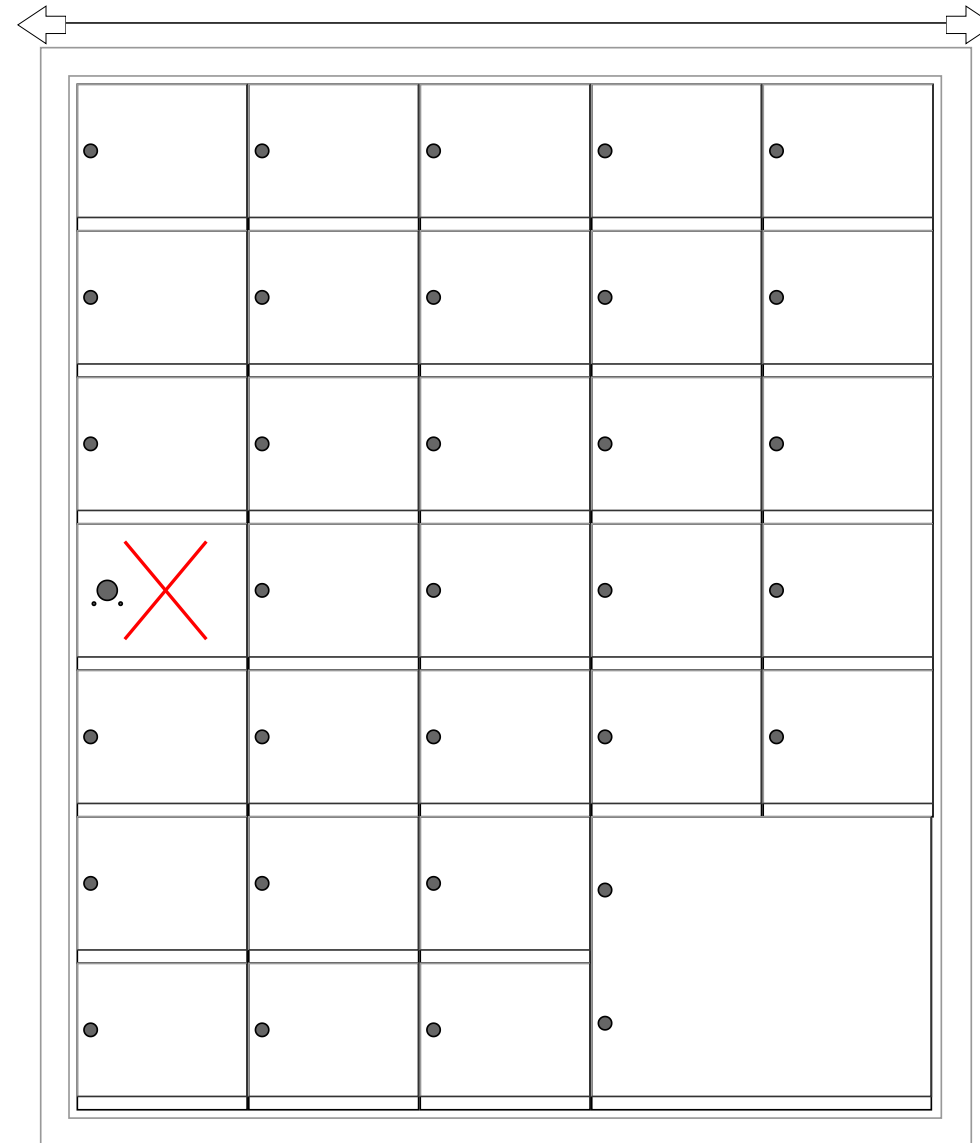


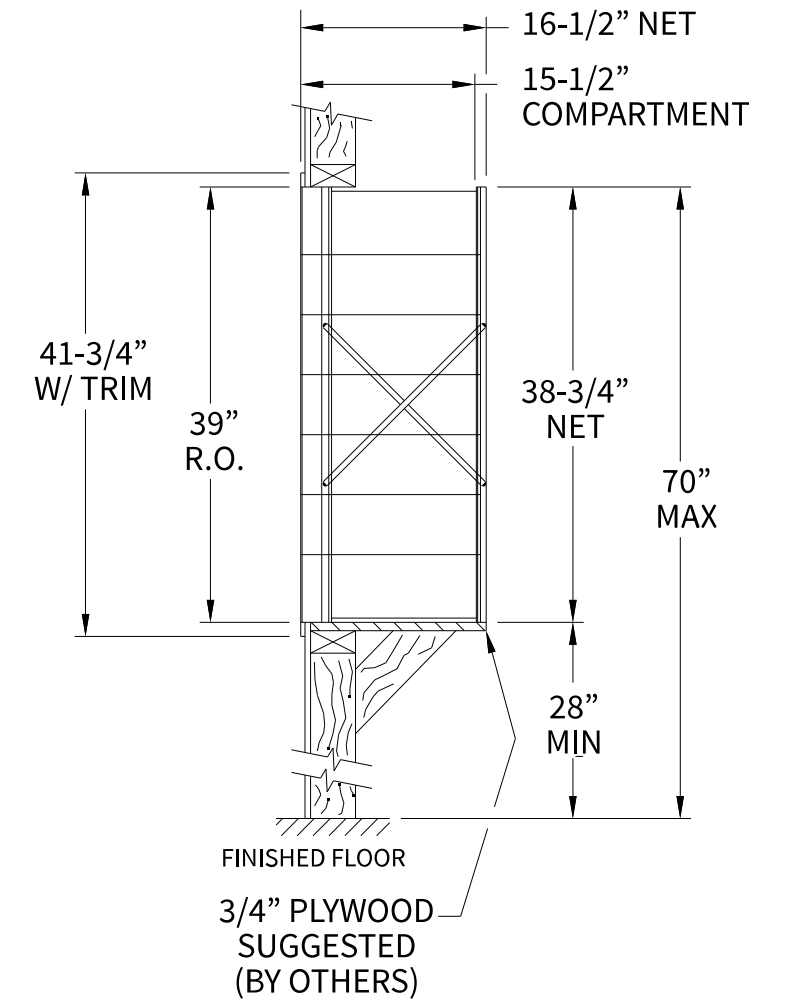
**140075PL Dimensions**

Overall Width w/ Trim: 36-1/8"  
(Rough Opening: 33-7/8")



**140075PL**

**Side View**



**Configuration Details:**

- 1. **Product Type:** 1400 Horizontal
- 2. **Installation:** Front-load, Recessed Mount
- 3. **Finish:** Anodized Aluminum
- 4. **Locks:** Standard Cam Lock, 2 keys
- 5. **Door Id:** tbd
- 6. **Master Door:** tbd

Matching standard snap-on trim included

**Models Used:**

(1) 140075PL

**DO NOT SCALE OFF DRAWING**

**Door Sizes Used:**

- (30) 1400 1x1 Compartment
- (1) 1x1 Master
- (1) 1404 2x2 Parcel

**ELEVATION:** 140075PL | **MAILBOXES:** 30 | **PARCELS:** 1 |

**PROJECT NAME:** 1400 Series Mailbox | **DRAWN BY:** FLORENCE



5935 Corporate Drive • Manhattan, KS 66503  
www.florencemailboxes.com • 800.275.1747

A GIBALTAR INDUSTRIES COMPANY

<b>DATE:</b> 01-15-2016	<b>P.O. NO:</b>
<b>SCALE:</b> NONE	<b>QUOTE NO:</b>
<b>DRAWING NO.</b> WEB-1934	<b>SHEET 1 OF 1</b>