

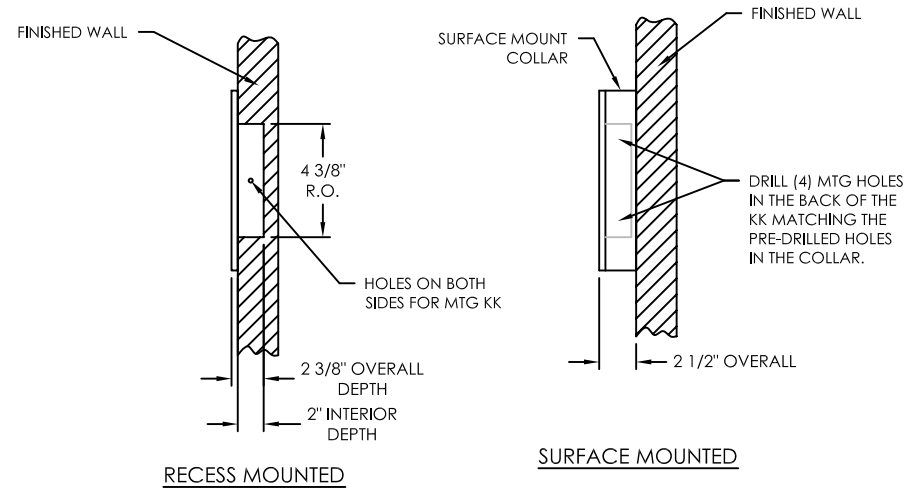
Mounting hardware included:

(4) #8 x 1.25" round head wood screws (51298)

Recessed installation notes:

1. Cut the rough opening in the wall using the provided dimensions.
2. When appropriate use wood blocking to help secure the key keeper in wall opening.
3. Drill pilot holes through holes located on each side of key keeper.
4. If necessary, remove key keeper from opening and install anchors into mounting holes before final installation.
5. When using a retractable chain, you must first secure the chain to the key keeper before installing into the wall. To secure the chain you will need to fasten it to the rear of the key keeper.
6. Secure key keeper into opening using (2) supplied #8 round head wood screws (51298), for conventional lumber installation.*

*For all other installation methods, you must supply your own fasteners.



Surface mount installation notes:

1. Flip the entire key keeper assembly over and match drill the (4) holes in the back of the surface mount collar.
2. Place the key keeper at the desired wall location. Open the key keeper door, locate (4) holes on the rear of the KK and mark on to the wall.
3. Remove the key keeper from the wall and drill (4) pilot holes into the wall where the marks were made.
4. If necessary install anchors into the mounting holes before final installation.
5. When using a retractable chain, you must first secure the chain to the key keeper before installing into the wall. To secure the chain you will need to fasten it to the rear of the key keeper.
6. For conventional lumber installation, open the door and use the provided #8 round head wood screws (51298) to mount the key keeper onto the wall.
7. Secure the key keeper onto the wall with the desired fasteners.*

PRODUCT SERIES: KK SERIES KEY KEEPER INSTALLATION	
AF FLORENCE manufacturing company	MODEL KK
5935 Corporate Drive • Manhattan, KS 66503 www.florenceemailboxes.com • (800) 275-1747	REV A
A GIBRALTAR INDUSTRIES COMPANY	SCALE NONE
	LAST REV DATE 10/20/09
DRAWING NUMBER CS5031	DRAWN BY NBC